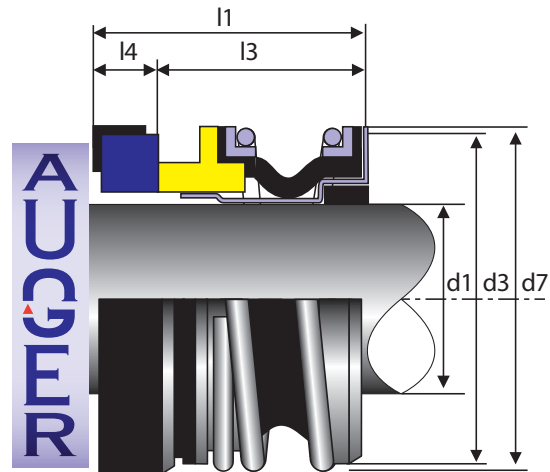


▶ AUGER SEAL AG TYPE AG INCH

▼ WE SEAL PUMPS!



Dimensions in millimeters

Diameter d1	d3	d7	l1	l3	l4
9,50 -3/8"	23,80	22,22	22,20	16,00	6,20
12,70 -1/2"	26,97	25,40	26,30	18,30	8,00
15,87 -5/8"	30,94	31,75	29,00	18,70	10,30
19,05 -3/4"	34,11	34,93	29,00	18,70	10,30
25,40 -1"	42,85	41,28	31,60	20,60	11,00

SPECIFICATIONS

- Pmax: 7 bar
- T°C: -15 ~ 200°C
- Double directional
- Unbalanced

APPLICATIONS

- Centrifugal pumps
- Pumps swimming pools
- Water pumps

MATERIALS

- Faces: carb/cer, sic/sic
- Metal parts: chr/ni, Steel
- Bellows: NBR/Viton
- L-cup: NBR/Viton

REMARKS

AUGER_{N.V.}

Kemelbeekstraat 30 - 2460 TIELEN - Belgium

T +32 (0)14 86 03 55 E info@auger.be W www.auger.be